

TIOMOS H

105° hinge



- Hinge system recessed in the top and bottom cabinet panels
- No attachment required to the cabinet sides
- No loss of space in the cabinet due to lateral hinges
- Suitable for modern, open furniture design, e.g. with glass partitions
- 105° opening angle
- 3-dimensional adjustment
- For door thicknesses from 18 mm
- Surfaces: nickel-plated or night
- Up to 17 kg load capacity

Available in 2 versions:

- With integrated damper (Soft-close)
- With integrated self-opening mechanism (Tipmatic Plus)

ORDER INFORMATION

Door overlay			Material	Scope of delivery	Art.-no.	
					Soft-close	Tipmatic Plus
Overlying			Zamak, nickel-plated	Tiomos H (2x) Cover cap (2x) Screw set (1x)	F05 1139 126	F05 1140 926
Overlying			Zamak, night	Tiomos H (2x) Cover cap (2x) Screw set (1x)	F05 1139 125	F05 1140 927

Door overlay			Material	Position	Art.-no.	
					Soft-close	Tipmatic Plus
Overlying			Zamak, nickel-plated		F053 140954	F053 1409 16
					F053 140955	F053 1409 17
Overlying			Zamak, night		F053 140952	F053 1409 14
					F053 140953	F053 1409 15

Recommended screws for cabinet connection (not included in the scope of supply): Countersunk screw Ø 3.5 x 40 mm / Ø 3.5 x 50 mm / Ø 3.5 x 60 mm / Ø 3.5 x 70 mm

COVER CAPS

	Designation	Art.-no.
	Hinge cover cap, plastic, grey	F072 1409 21
	Hinge cover cap, plastic, night	F072 1409 20

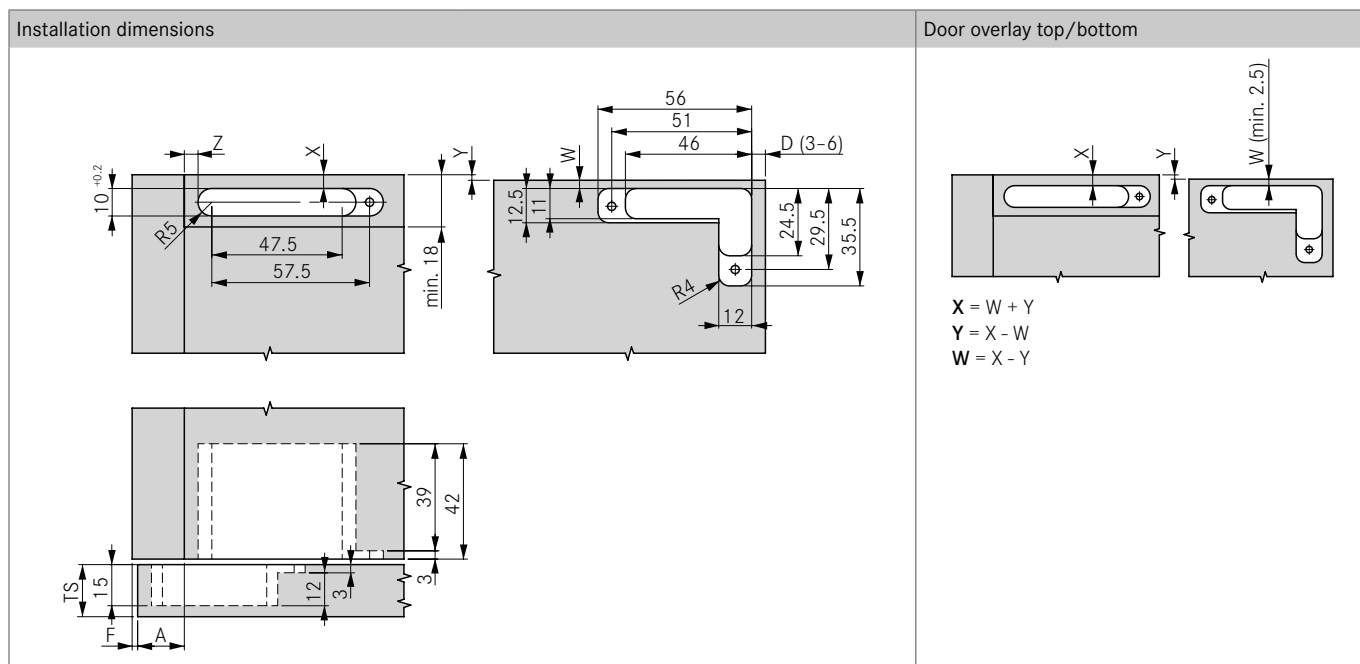
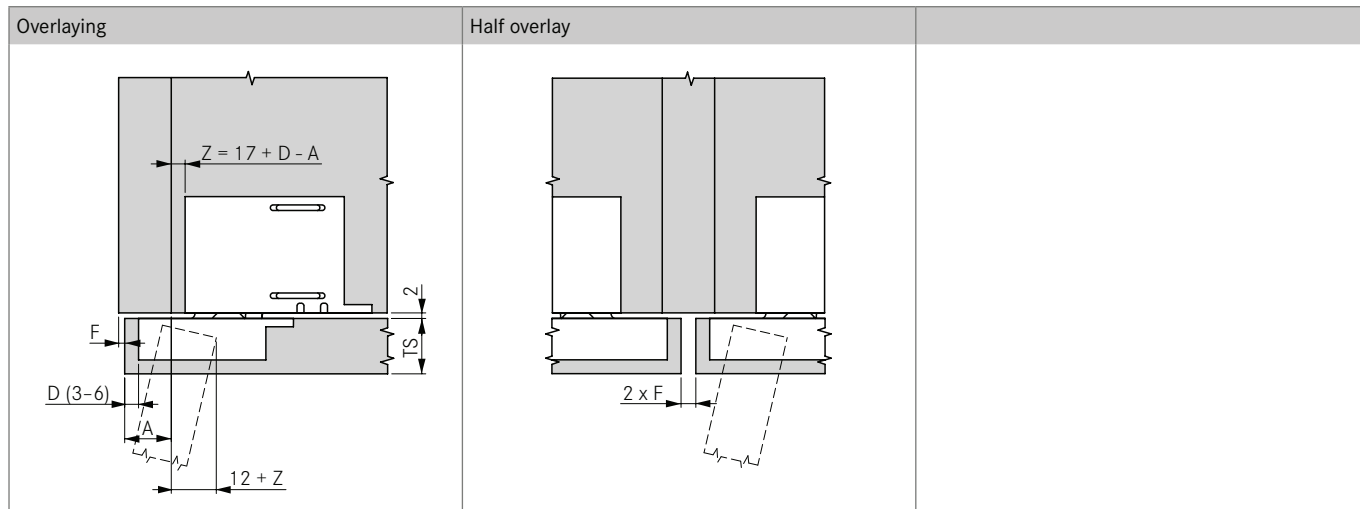
ACCESSORIES

	Designation	Art.-no.		Designation	Art.-no.
	Tipmatic Plus Pin for handle-free furniture doors	F069 1350 61		Tiomos H wood screw set for door connection, night	F072 1409 13
	Tiomos H wood screw set for door connection, nickel-plated	F072 1409 12			

Assembly technology	328
Tipmatic Plus Pin	280

INSTALLATION INFORMATION

All dimensions in millimetres



MINIMUM GAP WIDTH (F)

Door thickness (TS)	D			
	3	4	5	6
32.0	4.7	4.2	3.9	3.7
30.0	3.1	2.9	2.8	2.7
28.0	2.1	2.0	2.0	1.9
26.0	1.4	1.4	1.3	1.3
24.0	0.9	0.9	0.8	0.8
22.0	0.5	0.5	0.5	0.5
20.0	0.2	0.2	0.2	0.2
18.0	0.0	0.0	0.0	0.0

Minimum gap width (F)

LATERAL DOOR OVERLAY

Door overlay (A)	D			
	3	4	5	6
23.0				0
22.0			0	1
21.0		0	1	2
20.0	0	1	2	3
19.0	1	2	3	4
18.0	2	3	4	5
17.0	3	4	5	6
16.0	4	5	6	
15.0	5	6		
14.0	6			

Z (Z = 17 + D - A)

NOTES

Notes: For heavy doors with a weight of up to 17 kgs we recommend a cabinet thickness of at least 22 mm.